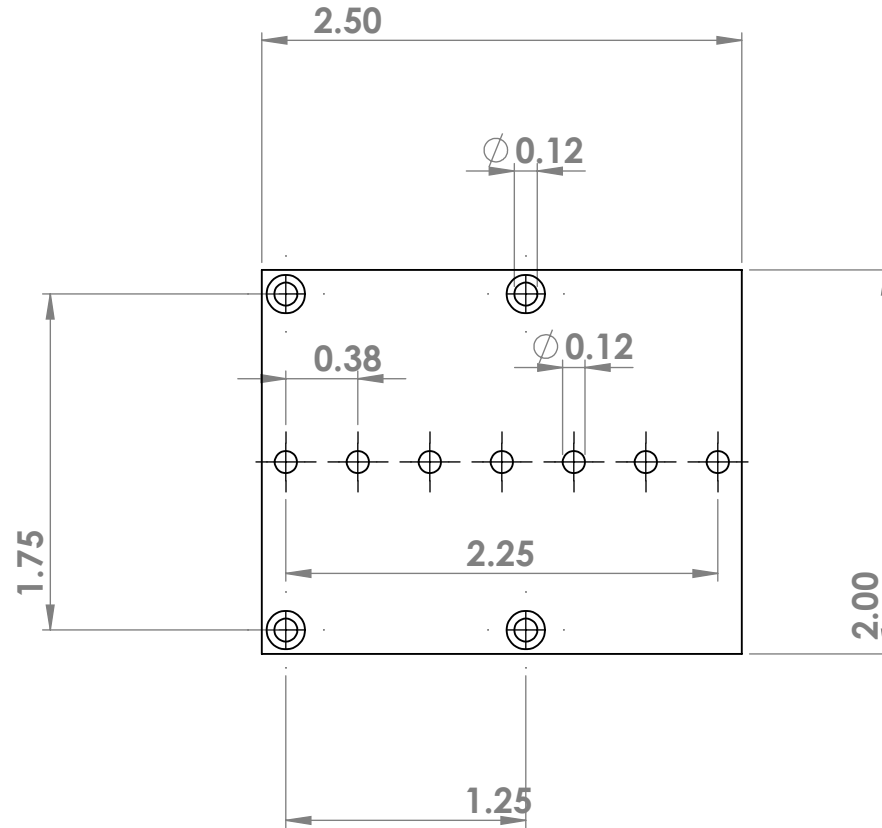
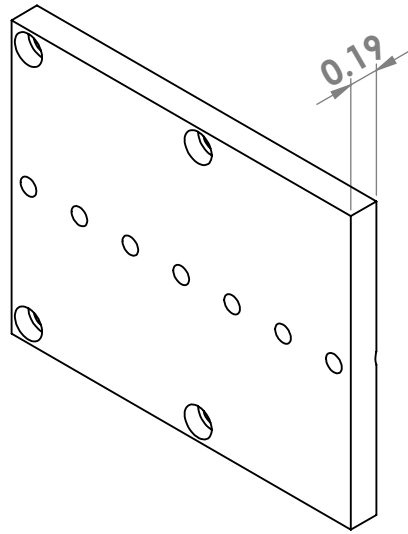


B**A****B****A**

		UNLESS OTHERWISE SPECIFIED:		NAME		DATE		TITLE:	
		DIMENSIONS ARE IN INCHES		DRAWN					
		TOLERANCES:		CHECKED					
		FRACTIONAL ±		ENG APPR.					
		ANGULAR: MACH ± BEND ±		MFG APPR.					
		TWO PLACE DECIMAL ±		Q.A.					
		THREE PLACE DECIMAL ±		COMMENTS:					
		INTERPRET GEOMETRIC TOLERANCING PER:							
		MATERIAL							
		FINISH							
NEXT ASSY		USED ON							
APPLICATION		DO NOT SCALE DRAWING							
						SIZE		DWG. NO.	
						A		20325	
								REV	
						SCALE: 2:1		WEIGHT:	
								SHEET 1 OF 1	

PROPRIETARY AND CONFIDENTIAL
 THE INFORMATION CONTAINED IN THIS
 DRAWING IS THE SOLE PROPERTY OF
 <INSERT COMPANY NAME HERE>. ANY
 REPRODUCTION IN PART OR AS A WHOLE
 WITHOUT THE WRITTEN PERMISSION OF
 <INSERT COMPANY NAME HERE> IS
 PROHIBITED.

2**1**