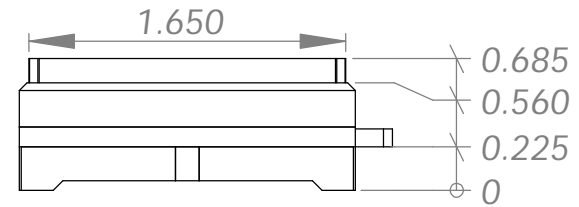
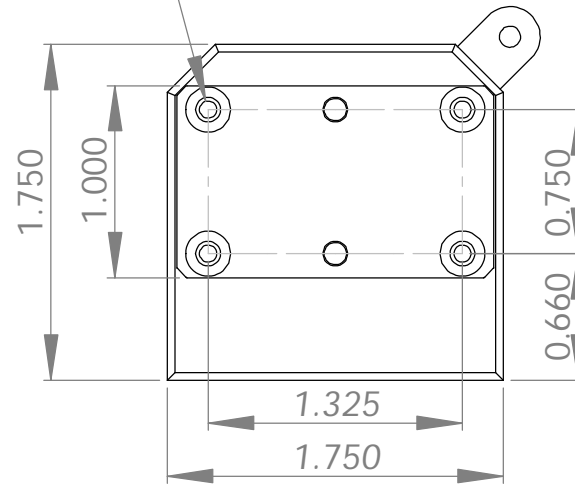
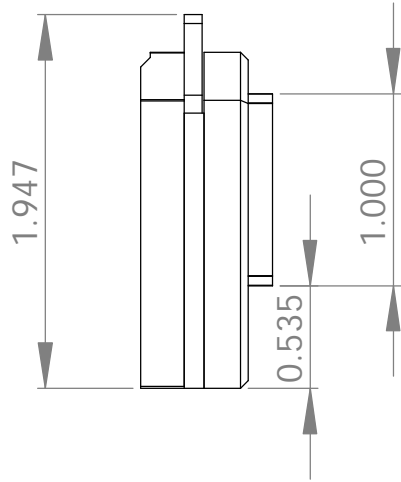


4 x ϕ 0.089 ∇ 0.195
 4-40 UNC ∇ 0.170



PROPRIETARY AND CONFIDENTIAL THE INFORMATION CONTAINED IN THIS DRAWING IS THE SOLE PROPERTY OF QUATER RESEARCH AND DEVELOPMENT. ANY REPRODUCTION IN PART OR AS A WHOLE WITHOUT THE WRITTEN PERMISSION OF QUATER RESEARCH AND DEVELOPMENT IS PROHIBITED.	UNLESS OTHERWISE SPECIFIED: DIMENSIONS ARE IN INCHES TOLERANCES: FRACTIONAL $\pm 1/64$ ANGULAR: $\pm .5$ DEG TWO PLACE DECIMAL $\pm .010$ THREE PLACE DECIMAL $\pm .005$	DRAWN CHECKED ENG APPR. MFG APPR.	NAME DARRELL ELLIOTT	DATE 08/01/06	TITLE:
	INTERPRET GEOMETRIC TOLERANCING PER: ISO 9001 MATERIAL FINISH DO NOT SCALE DRAWING	Q.A. COMMENTS:	SIZE A	DWG. NO. 20307-1	
			SCALE: 1:1	WEIGHT:	SHEET 2 OF 2

