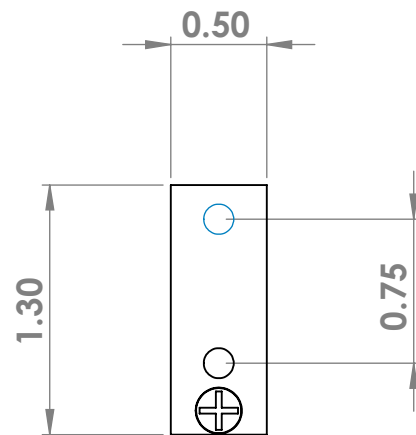
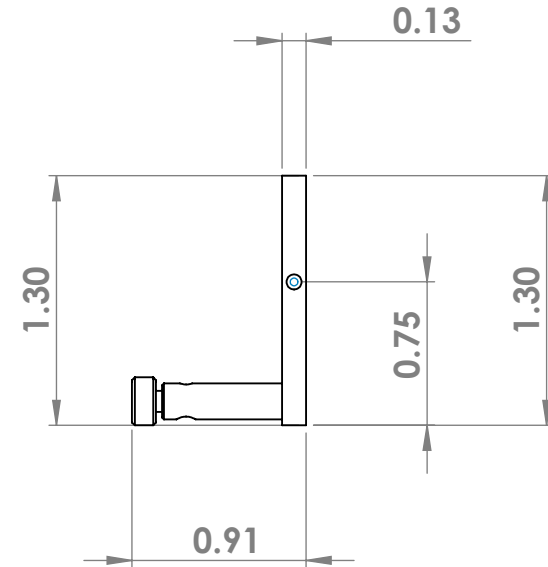


BACK



SIDE



<p>PROPRIETARY AND CONFIDENTIAL</p> <p>THE INFORMATION CONTAINED IN THIS DRAWING IS THE SOLE PROPERTY OF QUATER RESEARCH AND DEVELOPMENT. ANY REPRODUCTION IN PART OR AS A WHOLE WITHOUT THE WRITTEN PERMISSION OF QUATER RESEARCH AND DEVELOPMENT IS PROHIBITED.</p>	UNLESS OTHERWISE SPECIFIED:		NAME	DATE	TITLE:		
	DIMENSIONS ARE IN INCHES	DRAWN	DARRELL ELLIOTT	08/01/06			
	TOLERANCES:	CHECKED					
	FRACTIONAL $\pm 1/64$	ENG APPR.					
	ANGULAR: $\pm .5$ DEG	MFG APPR.					
TWO PLACE DECIMAL $\pm .010$	Q.A.						
THREE PLACE DECIMAL $\pm .005$	COMMENTS:						
INTERPRET GEOMETRIC TOLERANCING PER: ISO 9001					SIZE	DWG. NO.	REV
MATERIAL					A	20240	
FINISH					SCALE: 2:1	WEIGHT:	SHEET 1 OF 1



DO NOT SCALE DRAWING